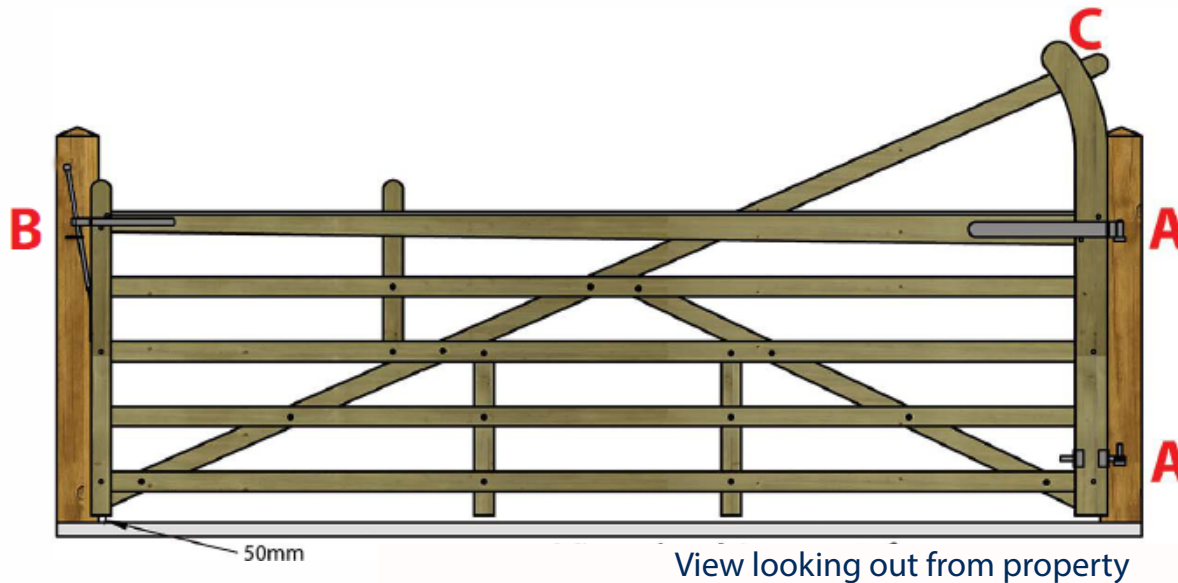


SINGLE 5 BAR GATE HUNG ON FACE OF POSTS



CHARLTONS
QUALITY INGRAINED
GATES AND FENCING



A = Adjustable field hinge set

B = Spring latch and keep set (Auto gate latch can be used)

C = Hanging stile

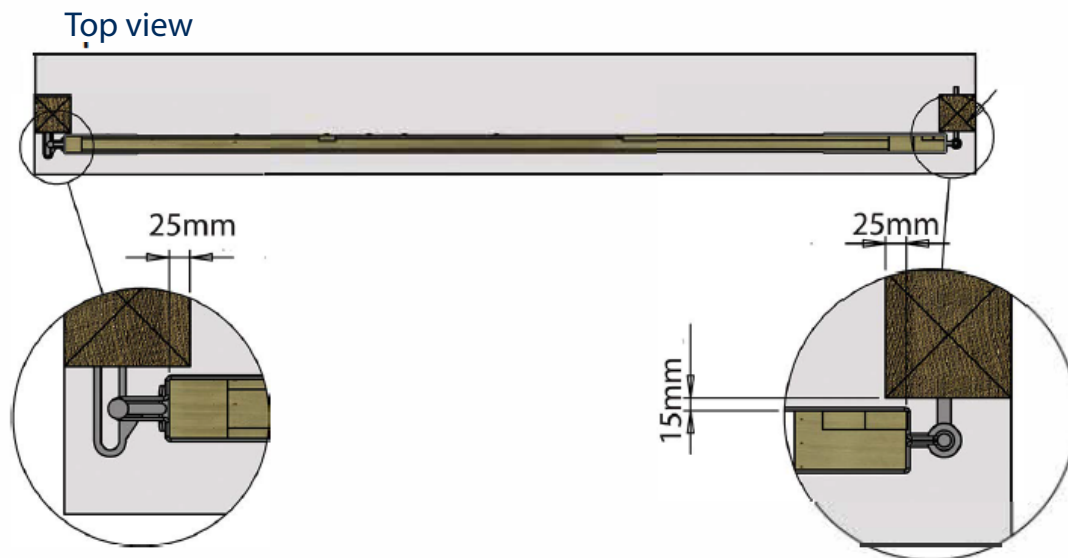
Sizes given are quoted using the fittings supplied by Charltons and are a guide only.

We recommend an experienced installer fit manual gates.

Gates must be hung from the larger hanging stile (**C**) unless it is a universal gate with both stiles the same size.

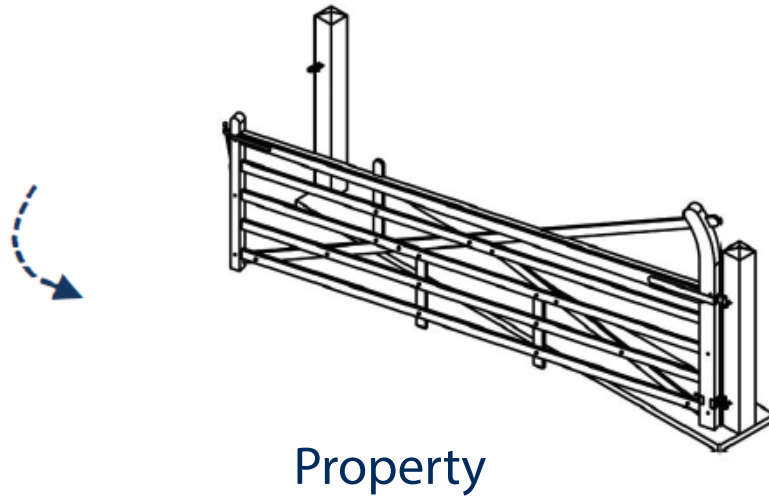
Automated electric gates must have a heavy duty rail. Gates should be fitted by a qualified installer.

If gate is being left in the open position a drop bolt & socket should be fitted so that the drop bolt can be used to secure the gates whilst open (no more than 90° degrees to the post so that the gate does not bend or excess pressure put on the hinges). Leaving the drop bolt loose, especially in gravel, can lead to the gate warping or being damaged.

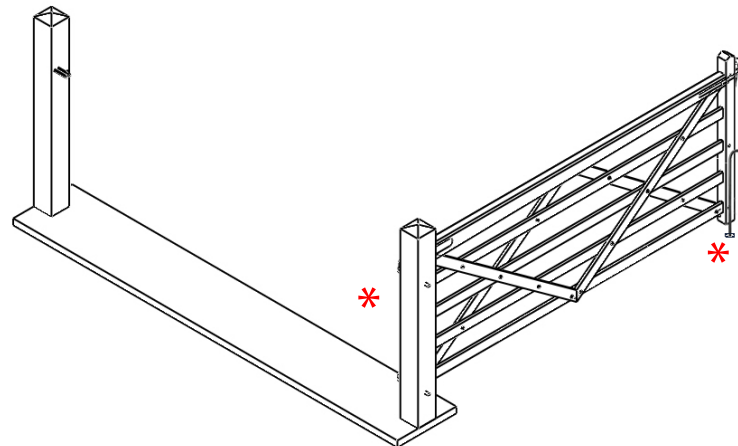


Gate opens inwards towards property up to 180°
(assuming no object in the way)

*Roadside

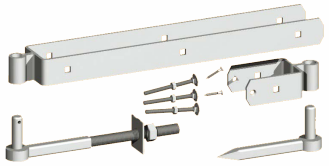


*Roadside



* If gate is being left in the open position a drop bolt & socket should be fitted so that the drop bolt can be used to secure the gates whilst open (**no more** than 90° degrees to the post so that the gate does not bend or excess pressure put on the hinges)

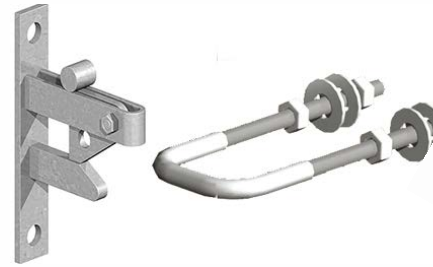
Fittings for manually installed gates



Adjustable double strap
field hinge set x 2



Spring latch & keep set



Auto gate latch



Drop bolt & socket set
(if gate to be left open)

Recommended posts

| Gate Width | Gate Height | Post Recommended |
|---------------------------------|---------------|-------------------------------------|
| 3'0" – 915mm to 4'0" – 1220mm | 3'7" – 1090mm | 7' x 5" x 5" – 2.1m x 125mm x 125mm |
| 5'0" – 1525mm to 7'0" – 2130mm | 3'7" – 1090mm | 7' x 6" x 6" – 2.1m x 150mm x 150mm |
| 8'0" – 2440mm to 14'0" – 4270mm | 3'7" – 1090mm | 7' x 7" x 7" – 2.1m x 175mm x 175mm |

Treatment

Pressure treatment protects the timber against wood rot and insect attack. These treatments do not provide all round protection against weathering. The elements and UV rays will slowly degrade the effectiveness of the pressure treatment. We therefore recommend that all planed timber gates are treated with a modern UV Oil. This is particularly important when hanging a pair of 5 Bar gates as it will help alleviate potential warping due to weathering and UV rays.

For more information please visit <https://charltonsgates.com/timber-treatment-gate-care/>